

# SAVEX EF

TWO PIECE

with top Push Button

Cod.: CSA17221XXX1CV

## CHARACTERISTICS

- Elongated form bowl that offers greater comfort.
- Classic design with harmonious and traditional details.
- Made Vitreous China
- Efficient flush / siphon effect.
- Includes: bowl, tank with chrome top push button, seat and fitting.
- Five year warranty

## SPECIFICATIONS

- Water consumption 1.6 gpf (6,0 Lpd ).
- Toilet weight: 66.8 lb +/- 3%.
- 12" (305mm) rough-in.
- 2" flush valve.
- 2" trapway.
- Generous 9" x 8" water surface area helps prevent dirt from sticking to the bowl.



COLOR



**SUPERIOR** line  
línea SUPERIOR

tu baño es...

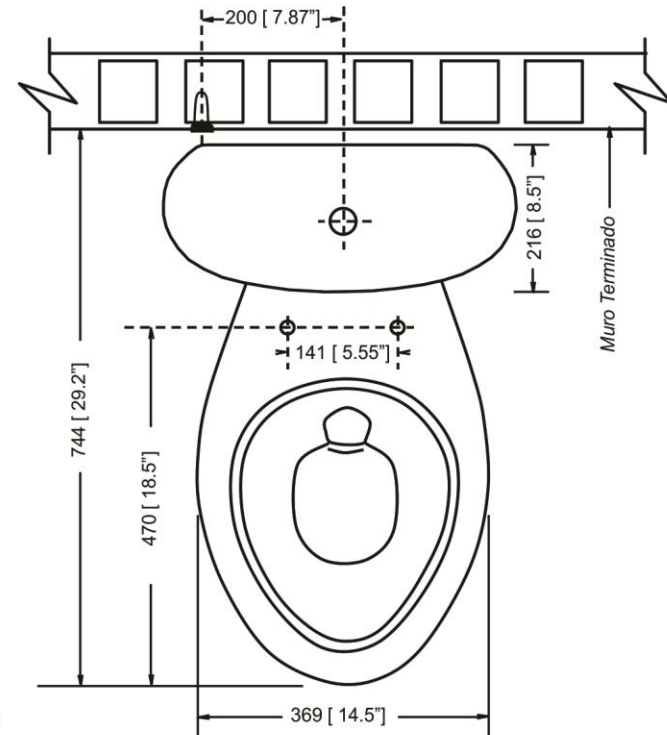
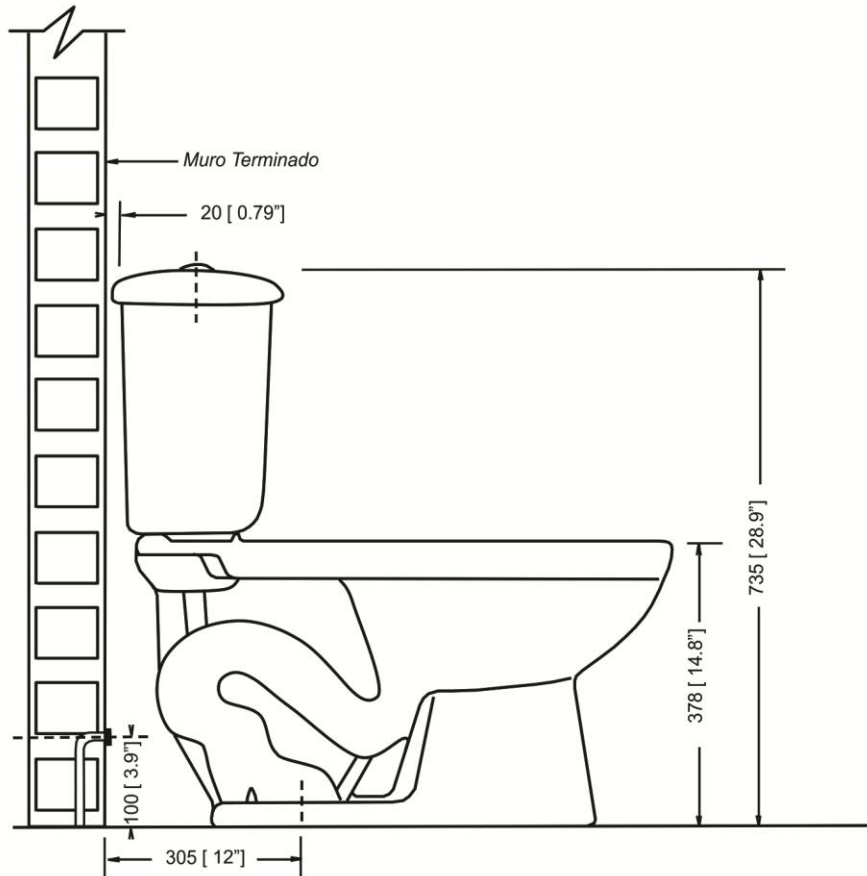


J-00007610-3

# SAVEX EF

TWO PIECE

with top Push Button



**SUPERIOR** line  
línea SUPERIOR

tu baño es...



J-00007610-3